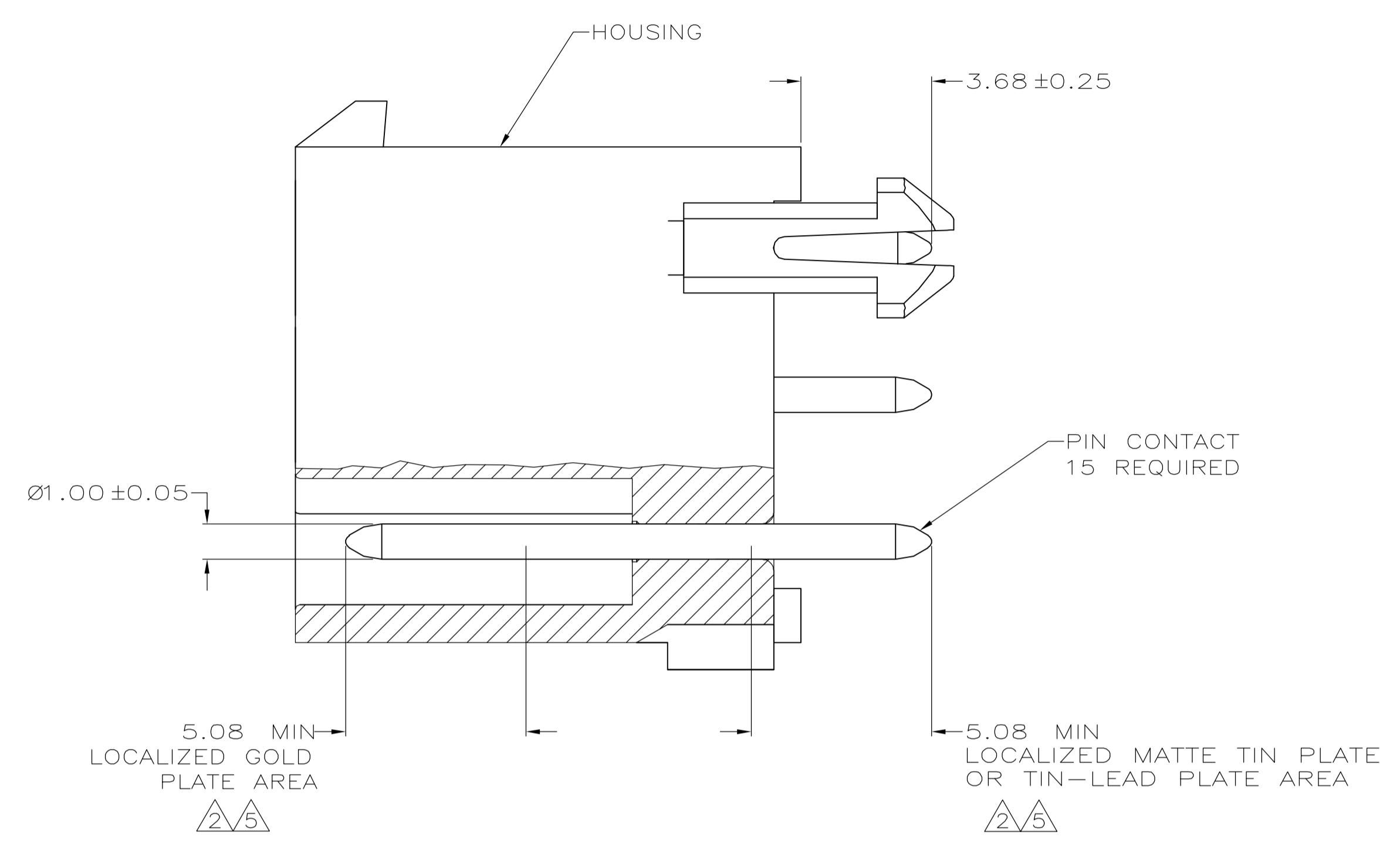
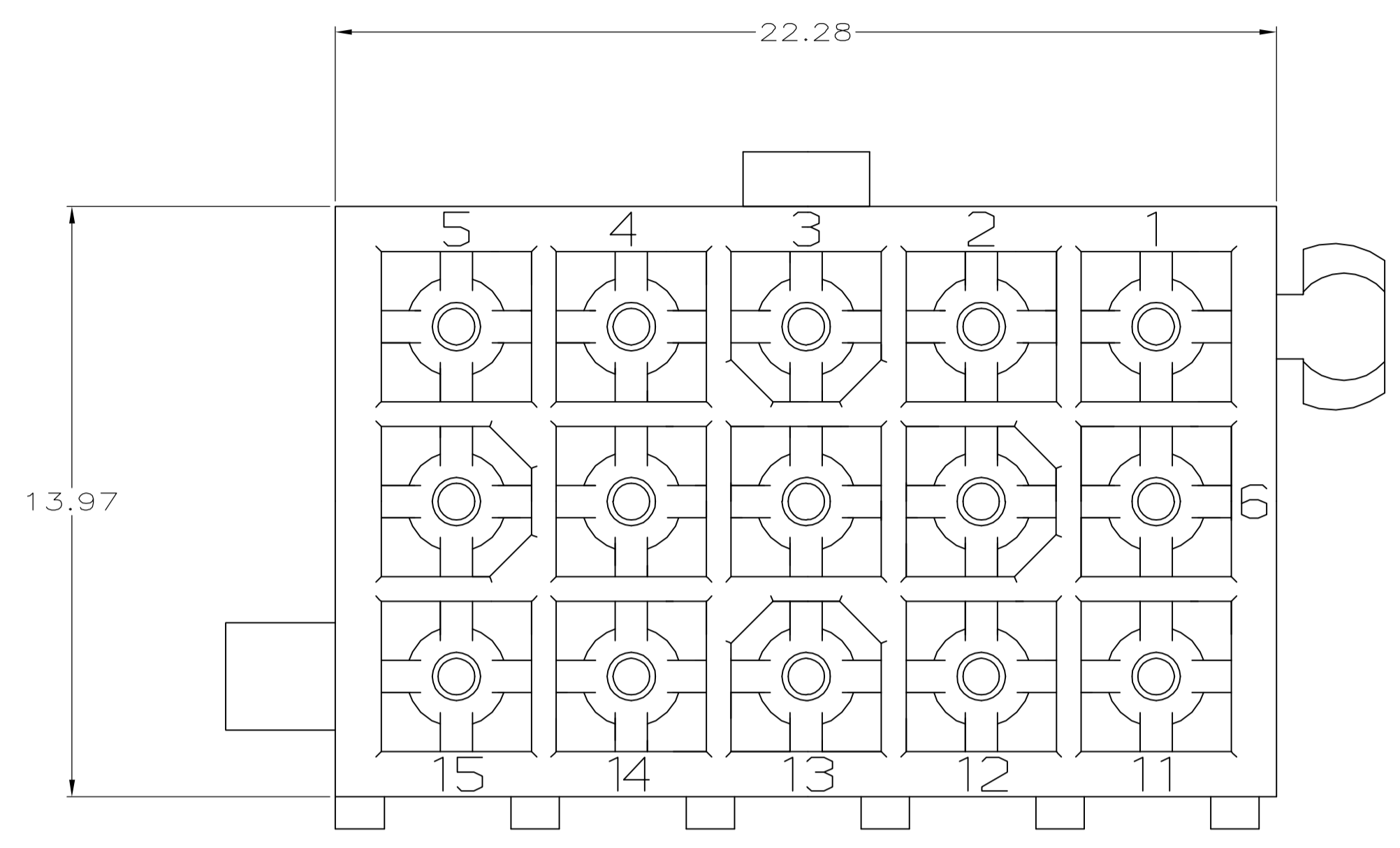
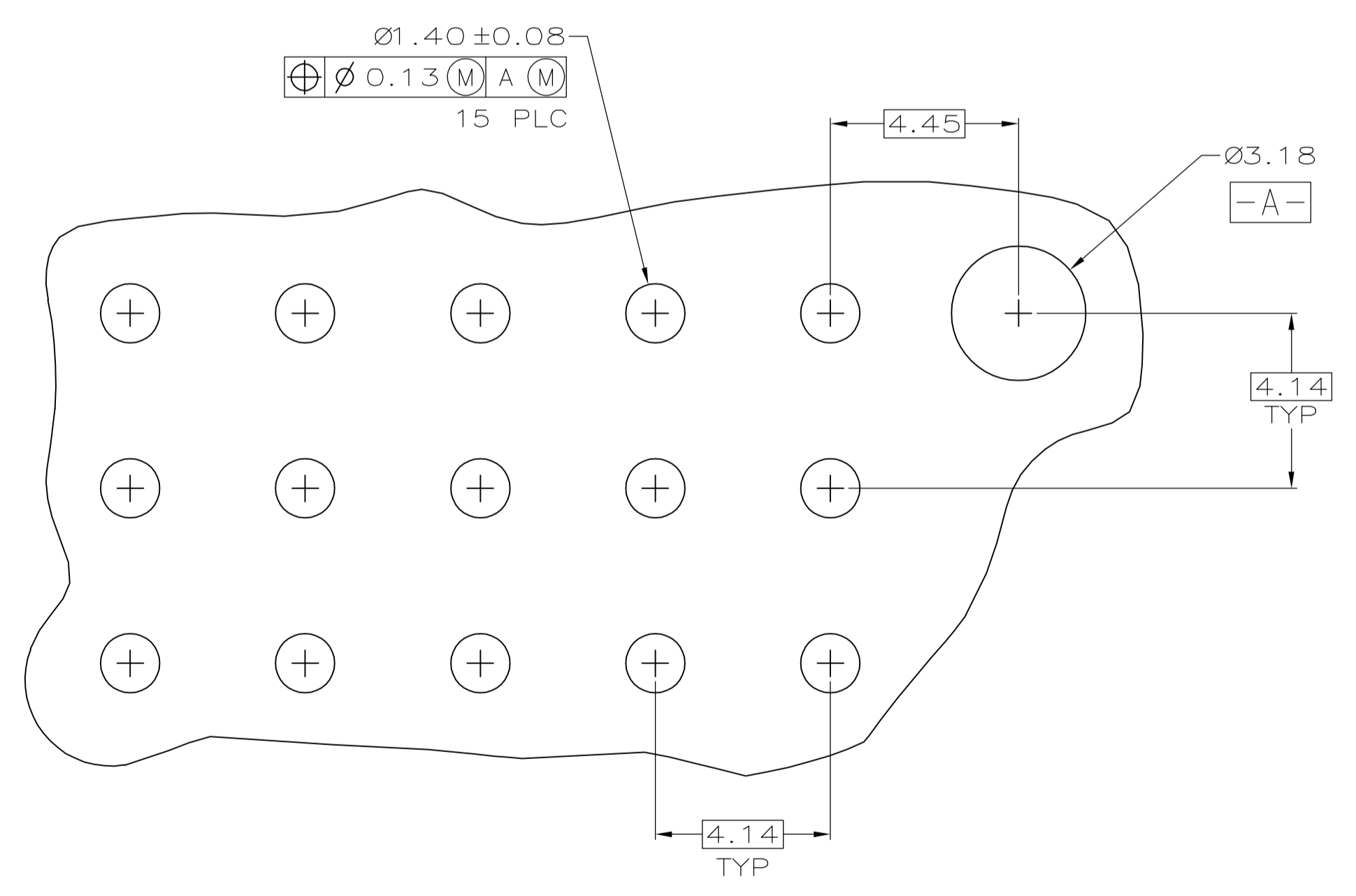
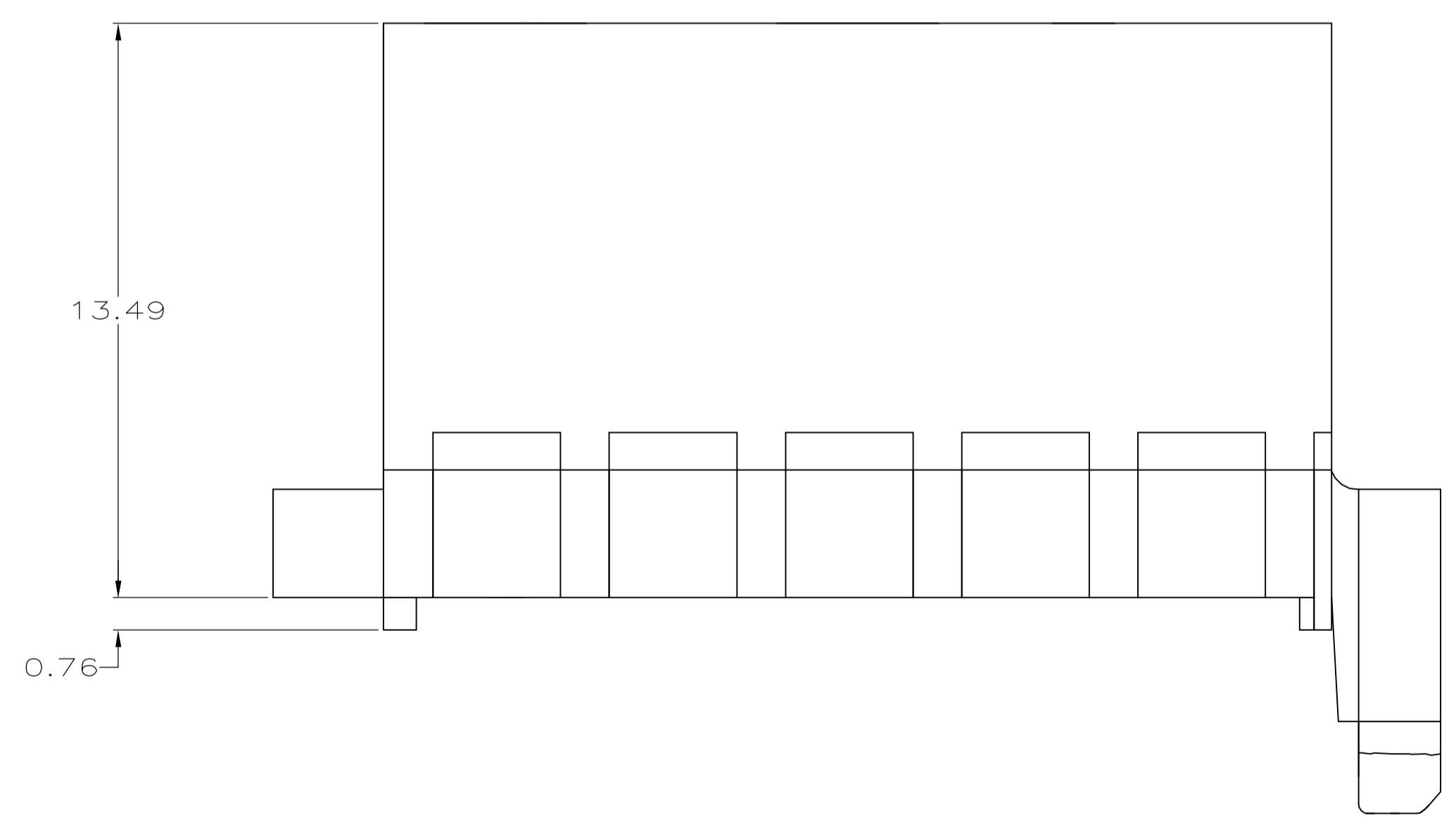


LOC		DIST		REVISIONS			
CM	0	REV	DESCRIPTION	DATE	BY	APP'D	
		H1	REVISED PER ECO-07-007242	09APR07	KW	CJ	



- PINS TO COMPLY WITH AMP SOLDERABILITY SPEC 109-11-3.
- 0.00076 MIN GOLD PLATE IN THE LOCALIZED PLATE AREA, 0.00381 MATTE TIN LEAD IN THE LOCALIZED PLATE AREA, BOTH OVER 0.00127 MIN NICKEL.
- 0.00381 MIN MATTE TIN LEAD OVER 0.00127 MIN NICKEL.
- 0.00381 MIN MATTE TIN OVER 0.00127 MIN NICKEL.
- 0.00076 MIN GOLD PLATE IN THE LOCALIZED PLATE AREA, 0.00381 MATTE TIN IN THE LOCALIZED PLATE AREA, BOTH OVER 0.00127 MIN NICKEL.



RECOMMENDED MOUNTING HOLE PATTERN FOR 1.57 THICK P.C. BOARD

MATERIAL	FINISH	MATERIAL	COLOR	PART NO.
BRASS, GOLD	5	NYLON, UL94V-0	WHITE	1-770859-1
BRASS, TIN	4	NYLON, UL94V-0	WHITE	1-770859-0
BRASS, GOLD	2	NYLON, UL94V-0	WHITE	770859-2
BRASS, TIN-LEAD	3	NYLON, UL94V-0	WHITE	770859-1

THIS DRAWING IS A CONTROLLED DOCUMENT.

DRAWN: S CARPENTER	DATE: 29 JUL 2003		Tyco Electronics Corporation		
CHECKED: R JONES	DATE: 29 JUL 2003		Harrisburg, Pa 17105-3608		
APPROVED: R JONES	DATE: 29 JUL 2003	NAME:	HEADER ASSEMBLY, 15 CKT, DOUBLE ROW VERTICAL MINI UNIVERSAL MATE-N-LOK		
PRODUCT SPEC:		APPLICATION SPEC:	SIZE:	CAGE CODE:	DRAWING NO:
			A1	00779	770859
MATERIAL:	FINISH:	WEIGHT:	CUSTOMER DRAWING	SCALE: 8:1	SHEET 1 OF 1

